



7300w² Monitor

Monitor for the WaterWatch² Range

PRODUCT DATASHEET

KEY FEATURES

Multisensor
Multiparameter
Graphic Display with 24hr Trending
Datalogging
4-20mA and Relay Outputs
Modbus RTU/RS485 Communications
Profibus DP Communications
90-264VAC or 9-36VDC Power Supply

COMPATIBLE SENSORS

TurbiTech² LA
TurbiTech² LS
TurbiTech² HR
TurbiTech² LR
OilTech² FLT
OxyTech² RDO Pro-X
OxyTech² GAL
WaterTech² pH8000
WaterTech² Redox8000
WaterTech² C4E
ColiTech²
UVT-LED
SoliTech² IL
WaterTech² TMP



The 7300w² Monitor is the core product in the WaterWatch² range, designed to interface with all the sensors in the WaterWatch² range. It provides all the connections required for 1 or 2 sensors, systems can be created by the use of expansion boxes to include multiple sensors. By allowing the user to connect a variety of sensors to just one monitor and with the option for a single MODBUS or PROFIBUS output cable, the 7300w² greatly reduces installation costs, setup complexity and equipment configuration.

DO, MLSS, & ORP or pH sensors in an aeration lane or Turbidity, pH & temperature at the final effluent point are just 2 examples of where the 7300w² can save a user over 60% compared with a separate monitor for each sensor. The 7300w² network can be expanded so additional measurement points can be added at a later date.

In both terms of software and hardware, the 7300w² has been designed with the user in mind:

- Easy to read LCD display, visible even in direct sunlight
- Large touch buttons with feedback for use with gloves
- Intuitive menu structure to allow for minimal training and setup
- Automatically register and sets up sensors when connected

The 7300w² contains an inbuilt trending display, customer configurable, that shows the last 24 hours data for any measurement point on an easy to navigate graph. This can also be downloaded for reporting purposes. An external USB port and data logging function allows users to log and retrieve all stored data for a site in a standard .csv format without the need for specialist SD cards or compatible hardware.

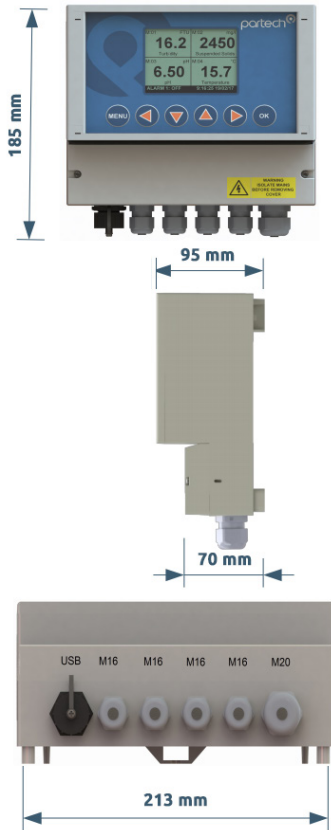
Call us on + 44(0) 1726 879800 www.partech.co.uk



7300w² Monitor

Monitor for WatchWatch² Range

PRODUCT SPECIFICATION



Physical

Dimensions

Weight

Protection Class

Enclosure Material

Cable Entries

185 x 213 x 95 mm (H x W x D)

1.4 kg

IP65

Polycarbonate (PC)

1 x M20, 4 x M16, 1 x USB Type A

Environmental Data

Operating Temperature

-20 to +70°C, 0 to 95% Humidity (non-condensing)

Electrical

Power Supply

Power Rating

85 to 264VAC, 50/60 Hz or 9 to 36VDC

AC Supply - 0.8 A

DC Supply - 30 W

Output/Interfaces

Analogue Outputs

0/4-20mA, max load 750 ohms

Serial Outputs

Modbus RTU/RS485 & Profibus DP (expansion box required for Profibus DP)

Relays

Relay Type

Relay Rating

3 (reduced to 1 relay for Modbus/Profibus)

SPCO

Max 5A @30VDC/230VAC

Auxiliary Connections

Configurable for Remote Input, Device Power

Sensor Interface

Digital Communications

ModTechw² - RS485

User Interface

Display

Backlight

Keypad

Trending Display

Datalogging

Graphical LCD, Black on White

On/Off/On after keypress, with user adjustable contrast

6 Key

24 hour trend display - user configurable

USB port for user memory stick

10,000 records limit

User configurable intervals 1-999 seconds

Mounting

Handrail mounting plate

Mounting plate with isolator

Outer enclosure with isolator

PN223974

PN223975

PN226786/226787 AC/DC Models

Order Codes

Part No Description

- | | |
|--------|--|
| 223160 | 7300w ² Monitor (85-264VAC, 2 x 0/4-20mA Output, 3 x Relay Outputs) |
| 223161 | 7300w ² Monitor (9-36VDC, 2 x 0/4-20mA Output, 3 x Relay Outputs) |
| 226974 | 7300w ² (85 to 264VAC, MODBUS Slave, 1 Relay output) |
| 226975 | 7300w ² (9 to 36VDC, MODBUS Slave, 1 Relay output) |

Publication No: 132237DS-Iss16

The company reserves the right to alter the specification without prior notice. E&OE

Call us on + 44(0) 1726 879800 www.partech.co.uk



Address: Rockhill Business Park, Higher Bugle, St Austell, Cornwall PL26 8RA, UK E: info@partech.co.uk