

## Digital Indicators

*Display process parameters anywhere.*



6.3

As our products are continuously improved, we reserve the right to make any change in the stated specifications and dimensions without prior notice.

MJK North America, Inc.  
37 Sherwood Terrace, #126  
Lake Bluff, IL 60044  
Tel: 847-482-8655  
877 MJK LINK  
Fax: 847-482-8654  
mjkusa@mjk.com  
www.mjk.com

**General**

Digital indicators for readout of measuring values. The indicators are designed for panel (NEMA 1) or local mounting (NEMA 4X). The instruments come with a pre-printed label sheet with most common engineering units.

Calibration and adjustment are made on the back of the indicator.

The indicators have a built-in simulator for zero and span so adjustment can be easily made without measuring and test equipment. The indicators are equipped with plug-in terminal blocks to ease adjustment and servicing.

**Features***Field Indicator type 531, 4-20 mA loop powered*

- 3½-digit easy readable LCD display.
- Delivered as a complete digital indicator in NEMA 4X enclosure or as separate display insertion for mounting on a connection box.
- Power supply from the 4-20 mA current loop.
- Internal calibration of zero and span with selectable decimal point location.

*Local Indicator type 532, 4-20 mA loop powered*

- 3½-digit backlit LCD display.
- Dimension 1.89 x 3.82 in, panel cutout 1.7 x 3.67 in.
- Power supply from the 4-20 mA current loop.
- Internal calibration of zero and span with selectable decimal point location.
- Display can be back-lit from a separate power source.

*Local Indicator type 533, 115 VAC powered*

- 3½-digit LED display.
- Dimension 1.89 x 3.82 mm, panel cutout 1.7 x 3.67 in.
- Built-in 24 VDC power supply for 2 or 3-wire transmitter.
- 2 built-in limit relays.
- Internal calibration of zero and span with selectable decimal point location.



Specifications

Type 531

Display type:	3½-digit LCD, height 0.67 in
Supply:	4-20 mA loop powered
Max. voltage drop:	< 3.5 V
Mounting:	Field
Enclosure:	NEMA 4X

Temperature range:	0 to 140 °F
Temp. coefficient:	± 0.0025 %/°F
Accuracy:	± 1 % F.S. incl. linearity
Zero:	± 1000 steps
Span:	12 ... 125 steps/mA

Type 532

Display type:	3½-digit LCD, height 0.55 in
Supply:	4-20 mA loop powered
Max. voltage drop:	< 3.5 V
Mounting:	Panel
Enclosure:	NEMA 1

Temperature range:	0 to 140 °F
Temp. coefficient:	± 0.0025 %/°F
Accuracy:	± 1 % F.S. incl. linearity
Zero:	± 1000 steps
Span:	12 ... 125 steps/mA

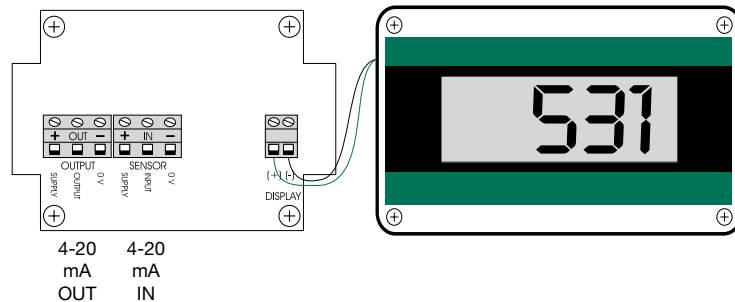
Type 533

Display type:	3½-digit LED, height 0.48 in
Supply:	115 VAC
Consumption:	8 VA (approx.)
Transmitter supply:	24 V DC
Limit relays:	2 x, range 0 - 100 % Max. load 48 V AC / 1 A
Mounting:	Panel
Warranty	1 year

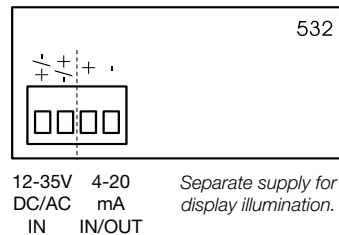
Enclosure:	NEMA 1
Temperature range:	0 to 140 °F
Temp. coefficient:	± 0.0025 %/°F
Accuracy:	± 1 % F.S. incl. linearity
Zero:	± 1000 steps
Span:	12 ... 125 steps/mA

Electrical connection

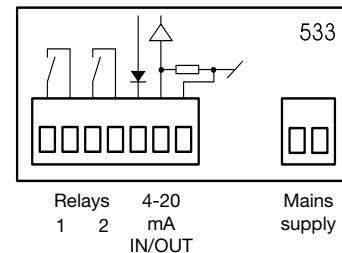
Field Indicator type 531



Local Indicator type 532



Local Indicator type 533



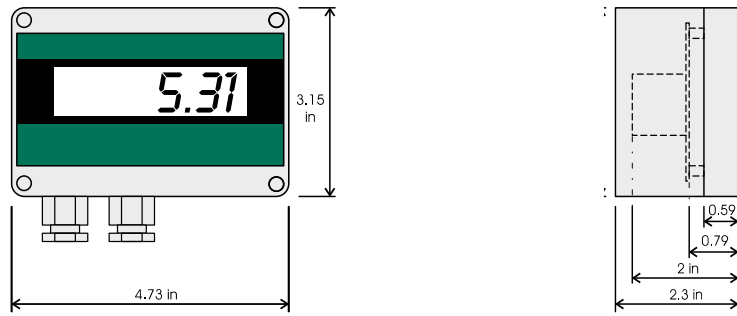
Accessories

To facilitate field mounting and for extra protection a sun shield made from stainless steel can be supplied for the type 531 Digital Indicator.



Dimensions

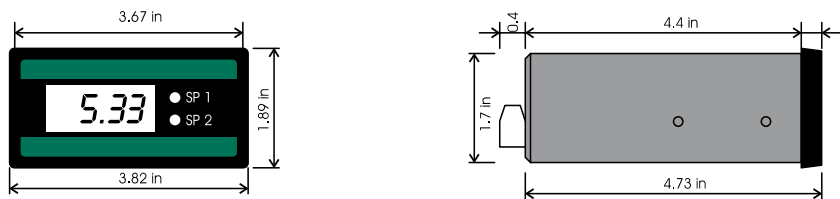
Display Indicator Type 531 for field mounting.



Display Indicator Type 532 for panel mounting.



Display Indicator Type 533 for panel mounting.



Order numbers

Order no.:	Description:
200125	Digital Indicator 531 for field mounting complete in NEMA 4X connection box
200126	Display Insert for connection box (Lid with display.)
200117	Sun shield for Display Indicator 531
200121	Digital Indicator 532 for panel mounting
200131	Digital Indicator 533 for panel mounting

Distributed by:

MJK offices:

**Denmark**  
[www.mjk.dk](http://www.mjk.dk)  
[mjk@mjk.dk](mailto:mjk@mjk.dk)  
 +45 45 56 06 56

**Norway**  
[www.mjk.no](http://www.mjk.no)  
[mjk@mjk.no](mailto:mjk@mjk.no)  
 +47 69 20 60 70

**The Netherlands**  
[www.mjk.com](http://www.mjk.com)  
[mjknl@mjk.com](mailto:mjknl@mjk.com)  
 +31 251 672171

**Sweden**  
[www.mjk.se](http://www.mjk.se)  
[kontoret@mjk.se](mailto:kontoret@mjk.se)  
 +46 53 31 77 50

**North America**  
[www.mjk.com](http://www.mjk.com)  
[mjkusa@mjk.com](mailto:mjkusa@mjk.com)  
 +1 847 482 8655

**Australia**  
[www.mjk.com](http://www.mjk.com)  
[mjk@mjk.com](mailto:mjk@mjk.com)  
 +61 3 9758 8533